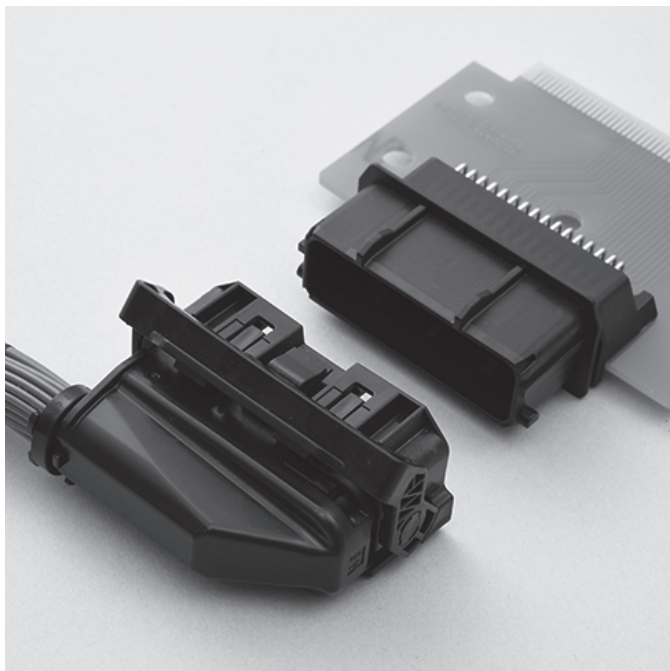


TCUD_{CONNECTOR}

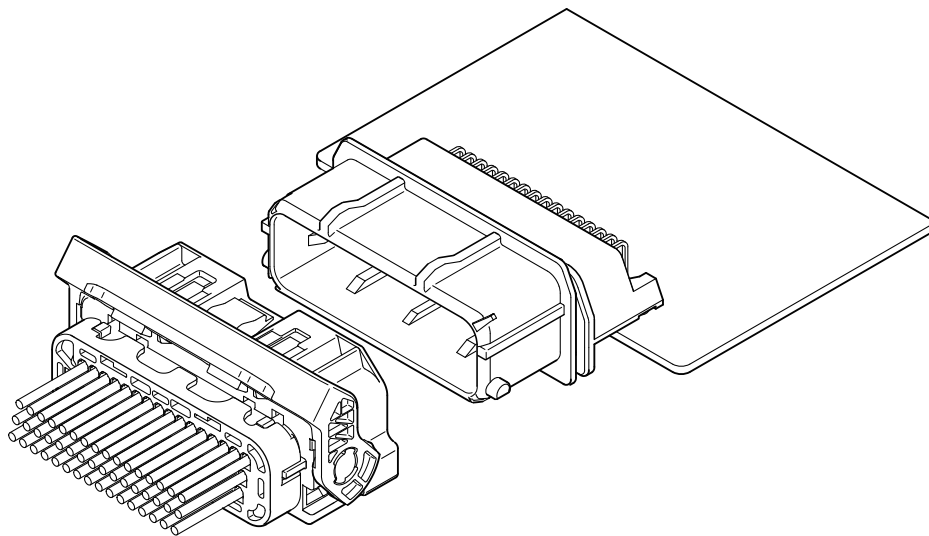
Board-to-wire



Features

- **Lower profile**
The height from PC board is lower than ZRO connector.
- **Improvement of Operability**
The lever is adopted to decrease the connector mating force.
The fixing part to PC board is lightly press-fitted boss configuration in consideration of the workability when assembling.
- **Sealed**
Mat seal is adopted for improving the workability of wire seal part.
- **Durability**
Heat resistant specification corresponding up to 125°C.
- **Variation**
If the optional harness cover is used, the harness can be taken out from the side.

This connector is 48 circuits sealed and lever type connector.
Female connector is ZRO, and TCUD male connector is lower height than ZRO male connector.

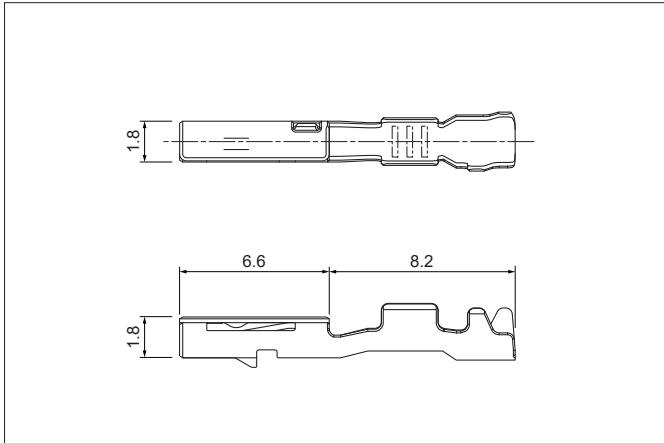


Specifications

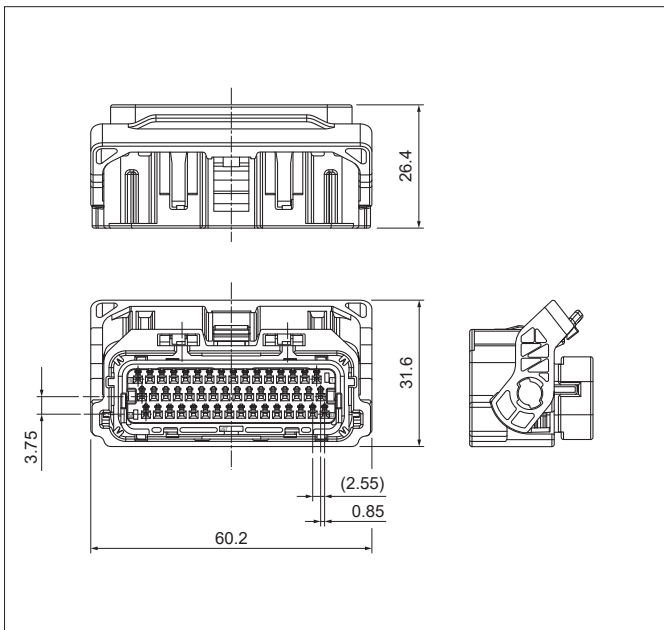
- Current rating: Power/ 7 A DC
Signal/ 5 A DC
- Withstanding voltage: 1,000 VAC/minute
- Temperature range: -40°C to +125°C
(including temperature rise in applying electrical current)
- Contact resistance: Initial value/ 8 mΩ max.
After environmental tests/ 16 mΩ max.
- Insulation resistance: 100 MΩ min.
- Applicable wire: AVSS 0.3 mm² to 0.85 mm²
AESSX-f 0.3 mm² to 0.75 mm²

* Compliant with ELV/RoHS2.
* Contact JST for details.

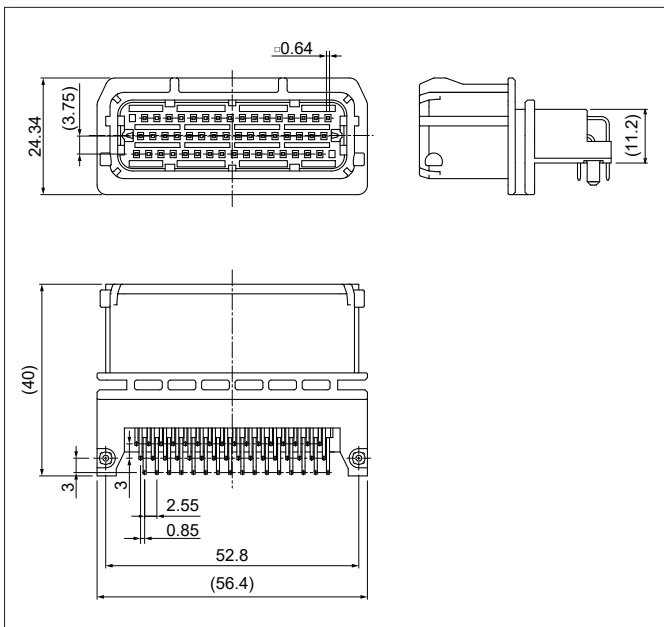
Female terminal



Female connector



Male connector



Model No.	Applicable wire range		Q'ty/reel
	Conductor (mm ²)	Insulation O.D. (mm)	
SZRO-A021T-M0.64	0.3 to 0.5	1.4 to 1.7	7,500
SZRO-A031T-M0.64	0.75 to 0.85	1.8 to 1.9	7,000

Material and Finish

Copper alloy, tin-plated (reflow treatment)

Circuits	Model No.	Key Code	Applicable wire range (mm ²)	Housing Color	Wire seal Color	Q'ty/box
48	48ZRO-B-1A	A	0.5 to 0.85	Black	Brown	384
	48ZRO-B-3A	A	0.3 to 0.85	Black	Blue	384

Material and Finish

Housing: Glass-filled PBT

Seal: Silicone

Lever: POM

Note: Applied to 0.75 mm² and 0.85 mm² wires has a limit to an arrangement and number of wires. Refer to the drawing or contact JST for details.

Circuits	Model No.	Key Code	Housing Color	Q'ty/reel
48	S48B-TCUDK-1	A	Black	192

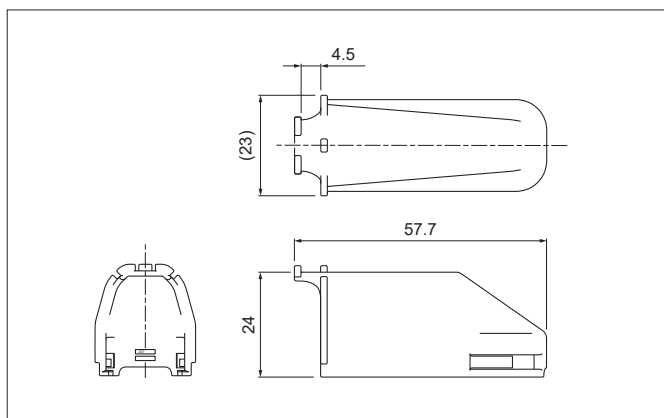
Material and Finish

Housing: Glass-filled PBT

Pin: Brass, tin-plated (reflow treatment)

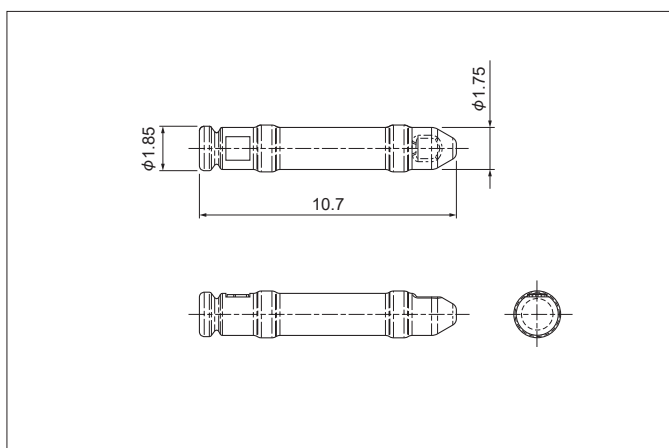
TCUD CONNECTOR

Harness cover



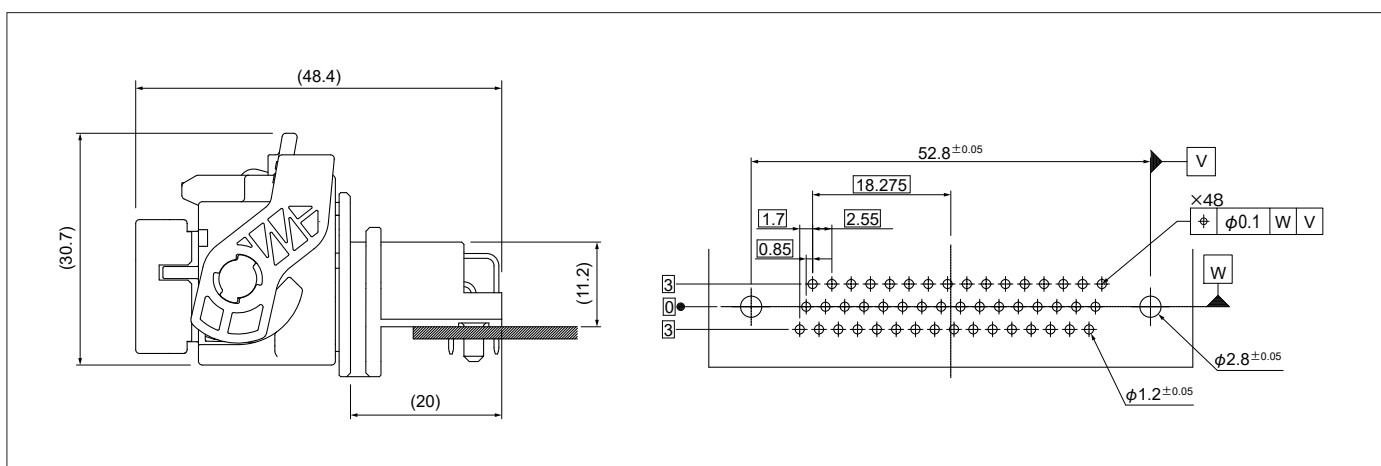
Circuits	Model No.	Housing Color	Q'ty/box
48	ZROHC-48H-K-1	Black	600
Material and Finish			
PBT			

Dummy plug



Model No.	Q'ty/box
WPHDP-H-1A-H	7,000
Material and Finish	
PBT, Gray	

PC board layout, Assembly layout



Crimping machine, Applicator

Strip terminal	Crimping machine	Crimp applicator MKS-L	
		Dies	Crimp applicator with dies
SZRO-A021T-M0.64	AP-K2N	MK/SWPH-A021-064	APLMK SWPH-A021-064
SZRO-A031T-M0.64		MK/SZRO-A031-064	APLMK SZRO-A031-064

Note: When crimping operation is conducted using an applicator and die set other than the above, JST cannot guarantee the performance of the terminal.